

TOLYBAD n°8 : 4ème édition des Rencontres du BACLY

| DH R5/R6 - PouleA | URBAIN CHEVALIER | REMY MOINE | MATRAS PHAM | BOURSE BARBIAN | Vict. | Sets diff. | Pts diff. | Cl |
|---|---------------------|---------------|----------------|-------------------|-------|------------|-----------|----|
| 1-URBAIN Florent-R5 (PLVPB 69-69) CHEVALIER Guillaume-R5 (PLVPE 69-69) | FFBaD | | 1 | | | | | |
| REMY Sébastien-R6 (ASMC 69-69) MOINE Geoffrey-R6 (ASMC 69-69) | | FFBaD | | 2 | | | | |
| MATRAS Jérôme-D8 (CCB 69-69) PHAM Jimmy-R6 (BEB 69-69) | 1 | | FFBaD | | | | | |
| BOURSE Gregory-P10 (BCIA 38-38) BARBIAN Sylvain-R6 (BCIA 38-38) | | 2 | | FFBaD | | | | |

| DH R5/R6 - PouleB | DELORME SOUCHAUD | JOUBERT-ROQU DUCHAMP | BREVET COQUARD | DEBARRE SALIGNON | Vict. | Sets diff. | Pts diff. | Cl |
|--|---------------------|-------------------------|-------------------|---------------------|-------|------------|-----------|----|
| 2-DELORME Renaud-R5 (BEB 69-69) SOUCHAUD David-R5 (BEB 69-69) | FFBaD | | 3 | | | | | |
| JOUBERT-ROQUIS Kévin-D9 (CB 69-69) DUCHAMP Cyril-R5 (CCB 69-69) | | FFBaD | | 4 | | | | |
| BREVET Guillaume-D7 (BACO 69-69) COQUARD Lionel-R6 (ASMC 69-69) | 3 | | FFBaD | | | | | |
| DEBARRE Thomas-D7 (CPS 75-75) SALIGNON Jerome-D7 (BACLY 69-69) | | 4 | | FFBaD | | | | |

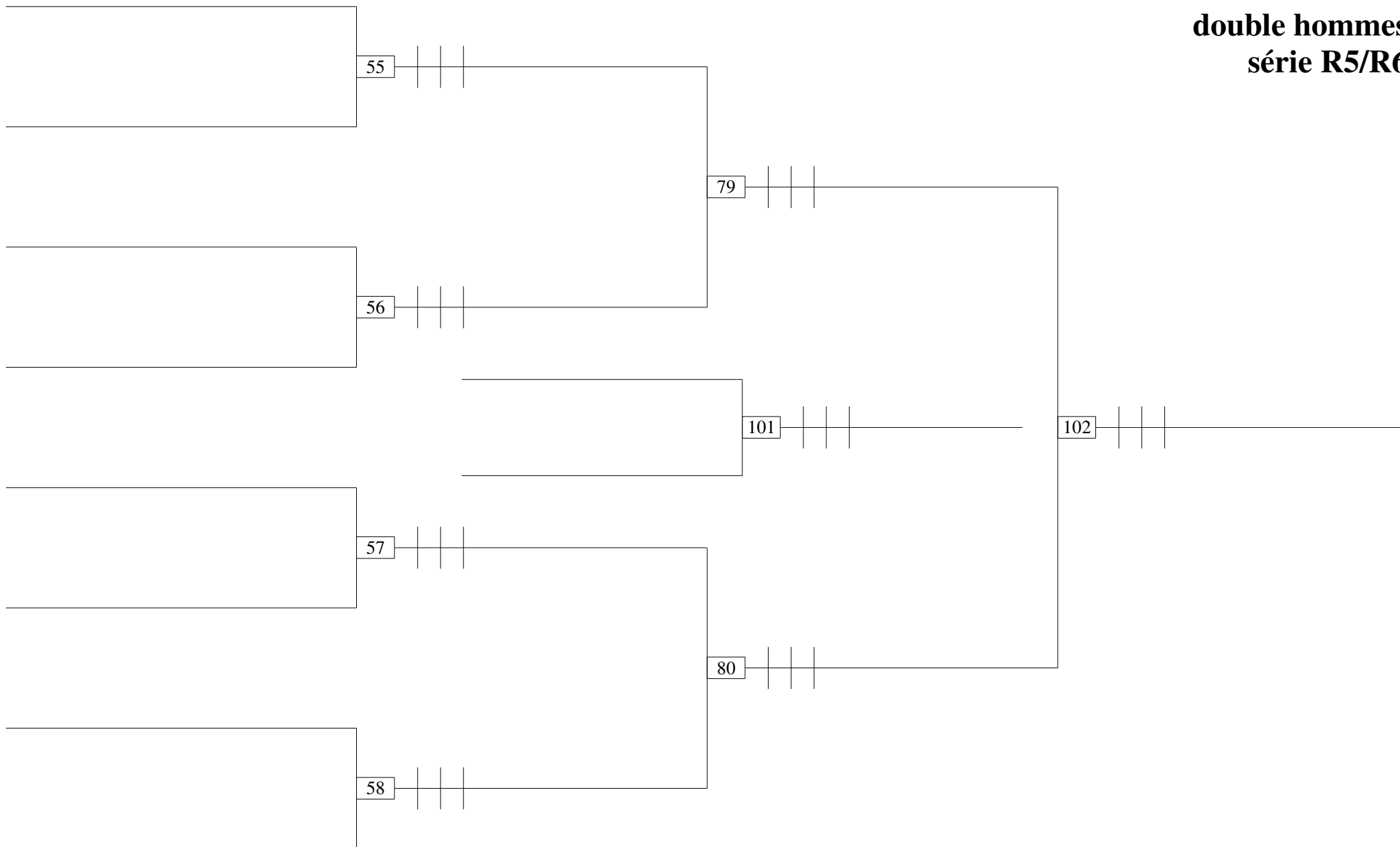
TOLYBAD n°8 : 4ème édition des Rencontres du BACLY

| DH R5/R6 - PouleC | HAECK BESSON | BARRAQUAND AUGEREAU | GUICHERD VAILLANT | BOUILLARD PIGEOT | Vict. | Sets diff. | Pts diff. | Cl |
|---|-----------------|------------------------|----------------------|---------------------|-------|------------|-----------|----|
| HAECK Romain-R5 (BVSE 69-69) BESSON Eric-R5 (BVSE 69-69) | FFBaD | | 5 | | | | | |
| BARRAQUAND Styven-R6 (BEB 69-69) AUGEREAU Vincent-R6 (BEB 69-69) | | FFBaD | | 6 | | | | |
| GUICHERD Sébastien-D7 (BCD 69-69) VAILLANT Yann-D7 (BCD 69-69) | 5 | | FFBaD | | | | | |
| BOUILLARD Quentin-D7 (ASMC 69-69) PIGEOT Kris-D7 (BACLY 69-69) | | 6 | | FFBaD | | | | |

| DH R5/R6 - PouleD | OSEPIAN BLASCO | BERTRAND CARION | THIRÉ ISSOSTA | CHENAVIER GUILLERMO | Vict. | Sets diff. | Pts diff. | Cl |
|---|-------------------|--------------------|------------------|------------------------|-------|------------|-----------|----|
| OSEPIAN Thibault-R6 (BCSV 01-01) BLASCO Matthieu-R5 (BCSV 01-01) | FFBaD | | 7 | | | | | |
| BERTRAND Faustin-R6 (ASPTT 69-69) CARION Nicolas-R6 (BACLY 69-69) | | FFBaD | | 8 | | | | |
| THIRÉ Cedric-R6 (CB 69-69) ISSOSTA Clément-D7 (CB 69-69) | 7 | | FFBaD | | | | | |
| CHENAVIER Olivier-D7 (PLVPB 69-69) GUILLERMO Matthieu-R6 (PLVPB 69-69) | | 8 | | FFBaD | | | | |

TOLYBAD n°8 : 4ème édition des Rencontres du BACLY

double hommes
série R5/R6



TOLYBAD n°8 : 4ème édition des Rencontres du BACL

| DD R5/R6 - Poule A | LAGO ATTAL | PHAM BERTHIER | BREUIL MARTINOT | UNG JOBIN | BRUYERE GODEFROY | Vict. | Sets diff | Pts diff. | Cl |
|--|---------------|------------------|--------------------|--------------|---------------------|-------|-----------|-----------|----|
| 1-LAGO Estelle-R5 (ASMC 69-69) ATTAL Mélissa-R5 (BAC 69-69) | FFBaD | 129 | 121 | 95 | 111 | | | | |
| PHAM Rebecca-R5 (BEB 69-69) BERTHIER Claire-R6 (BEB 69-69) | 129 | FFBaD | 77 | 112 | 122 | | | | |
| BREUIL Virginie-R5 (CCB 69-69) MARTINOT Cécile-R5 (CCB 69-69) | 121 | 77 | FFBaD | 130 | 96 | | | | |
| UNG Civ-ly-R5 (BEB 69-69) JOBIN Clémire-R5 (BEB 69-69) | 95 | 112 | 130 | FFBaD | 78 | | | | |
| BRUYERE Emmanuelle-R6 (AS) GODEFROY Frédérique-R5 (CB) | 111 | 122 | 96 | 78 | FFBaD | | | | |

TOLYBAD n°8 : 4ème édition des Rencontres du BACLY

| DH D7/D8 - PouleA | ROSEMOND QUIBLIER | MONNIN RENAUT | JULIEN CESANO | GRANADOS VIAL | Vict. | Sets diff. | Pts diff. | Cl |
|--|----------------------|------------------|------------------|------------------|-------|------------|-----------|----|
| 1-ROSEMOND Frederic-D7 (BCVIL 69-69) QUIBLIER Arnaud-D7 (BCVIL 69-69) | FFBaD | | 9 | | | | | |
| MONNIN Clément-D8 (BCC 69-69) RENAUT Benjamin-D8 (BCC 69-69) | | FFBaD | | 10 | | | | |
| JULIEN Benoit-D9 (BACO 69-69) CESANO Florian-D9 (BACO 69-69) | 9 | | FFBaD | | | | | |
| GRANADOS Brice-D9 (EBC 69-69) VIAL Michaël-D8 (ABG 42-42) | | 10 | | FFBaD | | | | |

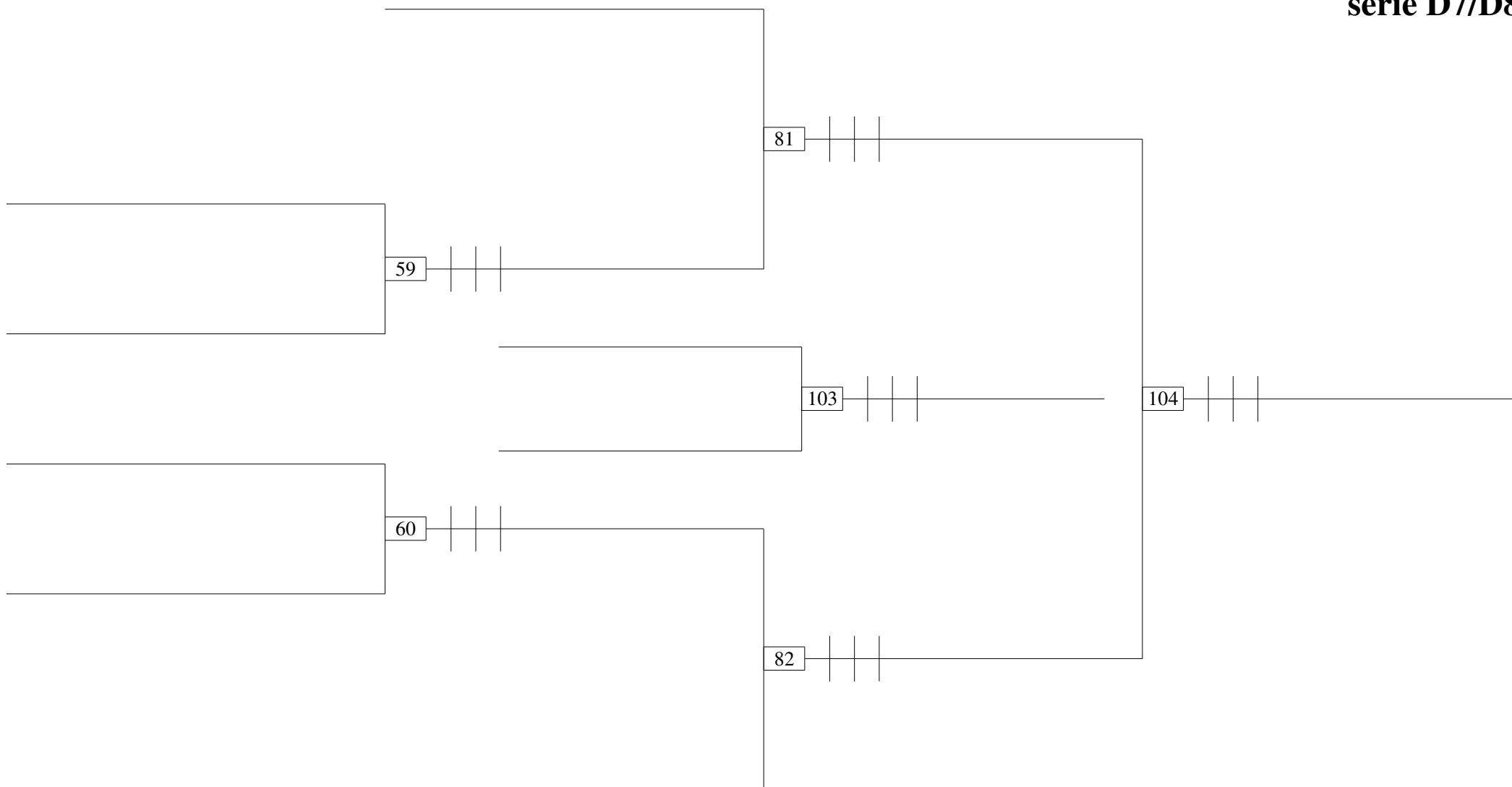
| DH D7/D8 - PouleB | PIQUENOT VAN RUYMBEKE | ROSSI GAUROY | MONARD PLANQUART | CHARRIER BILLET | Vict. | Sets diff. | Pts diff. | Cl |
|---|--------------------------|-----------------|---------------------|--------------------|-------|------------|-----------|----|
| 2-PIQUENOT Sebastien-D7 (LVB 38) VAN RUYMBEKE Pierre-D7 (LVB 38) | FFBaD | | 11 | | | | | |
| ROSSI Pierre-D8 (GSL 69-69) GAUROY Benjamin-D8 (GSL 69-69) | | FFBaD | | 12 | | | | |
| MONARD Guillaume-D8 (BACLY 6) PLANQUART Alexandre-D9 (BACLY 6) | 11 | | FFBaD | | | | | |
| CHARRIER Gêrôme-D8 (BCVIL 69-69) BILLET Thomas-P11 (BCVIL 69-69) | | 12 | | FFBaD | | | | |

TOLYBAD n°8 : 4ème édition des Rencontres du BACLY

| DH D7/D8 - PouleC | CHABAUD PIZZUTI | | MENOLI DESPLANTES | | PASSOT LOMBARD | | DEJOIE HAY | | Vict. | Sets diff. | Pts diff. | Cl |
|---|--------------------|--|----------------------|--|-------------------|--|---------------|--|-------|------------|-----------|----|
| | FFBaD | | FFBaD | | FFBaD | | FFBaD | | | | | |
| CHABAUD Damien-D7 (BACLY 69-69) PIZZUTI Romain-D8 (BEL 69-69) | FFBaD | | | | 13 | | | | | | | |
| MENOLI Florian-D8 (CGB 69-69) DESPLANTES Benjamin-D8 (CGB 69-69) | | | FFBaD | | | | 14 | | | | | |
| PASSOT Damien-P10 (ASVF 38-38) LOMBARD Eric-D8 (ASVF 38-38) | 13 | | | | FFBaD | | | | | | | |
| DEJOIE Romain-D8 (PLVPB 69-69) HAY Valentin-D9 (PLVPB 69-69) | | | 14 | | | | FFBaD | | | | | |

TOLYBAD n°8 : 4ème édition des Rencontres du BACLY

double hommes
série D7/D8



TOLYBAD n°8 : 4ème édition des Rencontres du BACLY

DD D7/D8 - Poule A

| | TIRAND GICQUEL | BARD REVERSAT | PIERRE DEJOB PETIT | WILLIAMS PERRIN | CINQUIN DUMAS | Vict. | Sets diff | Pts diff. | Cl |
|--|-------------------|------------------|-----------------------|--------------------|------------------|-------|-----------|-----------|----|
| 1-TIRAND Loraine-D7 (BACO 69-69) GICQUEL Elwenn-D7 (BACO 69-69) | FFBaD | 83 | 61 | 31 | 47 | | | | |
| BARD Françoise-D7 (BACO 69-69) REVERSAT Floriane-D8 (BACO 69-69) | 83 | FFBaD | 15 | 48 | 62 | | | | |
| PIERRE DEJOB Adeline-D7 (BACO 69-69) PETIT Tatiana-D8 (BCD 69-69) | 61 | 15 | FFBaD | 84 | 32 | | | | |
| WILLIAMS Susannah-D9 (GSL 69-69) PERRIN Marine-D8 (BCVIL 69-69) | 31 | 48 | 84 | FFBaD | 16 | | | | |
| CINQUIN Charlotte-D8 (ESGA 69-69) DUMAS Emilie-D9 (ASMC 69-69) | 47 | 62 | 32 | 16 | FFBaD | | | | |

TOLYBAD n°8 : 4ème édition des Rencontres du BACL Y

| DH D9/P10 - PouleA | ORSIER FOCA | LASRY KRUZICKI | MAILLY CLAVIER | THIERY CORLOUER | Vict. | Sets diff. | Pts diff. | Cl |
|--|----------------|-------------------|-------------------|--------------------|-------|------------|-----------|----|
| 1-ORSIER Adrien-D9 (BACO 69-69) FOCA Adrien-D9 (BACO 69-69) | FFBaD | | 49 | | | | | |
| LASRY Yohan-P10 (PLVPB 69-69) KRUZICKI Tyler-P10 (PLVPB 69-69) | | FFBaD | | 50 | | | | |
| MAILLY Cedric-P10 (BCT 38-38) CLAVIER Kevin-P10 (BCT 38-38) | 49 | | FFBaD | | | | | |
| THIERY Jean-baptiste-P12 (BACL Y) CORLOUER Jerome-P10 (BCS 92-92) | | 50 | | FFBaD | | | | |

| DH D9/P10 - PouleB | BRIN RICHARD | TERRIER VERCOUSTRE | GUIBERT RAUBER | BOUVIER MEHDAOUI | Vict. | Sets diff. | Pts diff. | Cl |
|--|-----------------|-----------------------|-------------------|---------------------|-------|------------|-----------|----|
| 2-BRIN Cyril-P10 (AUVR 69-69) RICHARD Dimitri-D9 (AUVR 69-69) | FFBaD | | 51 | | | | | |
| TERRIER Lionel-P10 (ESGA 69-69) VERCOUSTRE Anthony-P10 (ESGA 69-69) | | FFBaD | | 52 | | | | |
| GUIBERT François-P10 (CBC 69-69) RAUBER Sylvain-P10 (CBC 69-69) | 51 | | FFBaD | | | | | |
| BOUVIER Thomas-P11 (BACO 69-69) MEHDAOUI Nabil-P10 (BACL Y 69-69) | | 52 | | FFBaD | | | | |

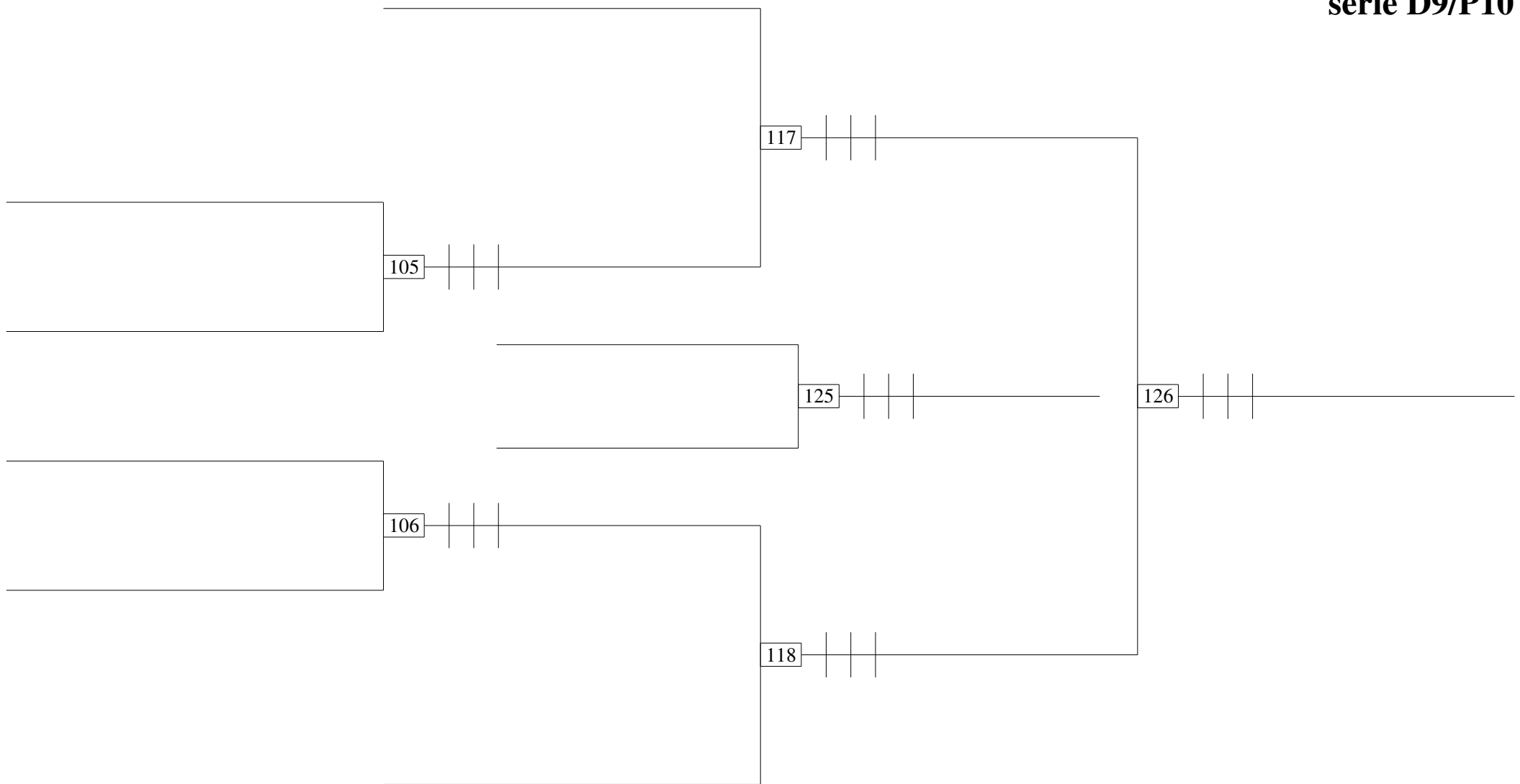
TOLYBAD n°8 : 4ème édition des Rencontres du BACLY

DH D9/P10 - PouleC

| | TRUCHET FICHET | | MERIC BONNATY | | STARCK GIL | | GUILLET DE UFFREDI | | Vict. | Sets diff. | Pts diff. | Cl |
|---|-------------------|--|------------------|--|---------------|--|-----------------------|--|-------|------------|-----------|----|
| TRUCHET Geoffray-D9 (BCT 38-38) FICHET Jacques-D9 (BCT 38-38) | FFBaD | | | | 53 | | | | | | | |
| MERIC Brice-P10 (CCB 69-69) BONNATY Emmanuel-P10 (CCB 69-69) | | | FFBaD | | | | 54 | | | | | |
| STARCK Ludovic-P10 (BAC 69-69) GIL Charles-edouard-P10 (BACLY 69-69) | 53 | | | | FFBaD | | | | | | | |
| GUILLET Ludovic-P10 (BCD 69-69) DE UFFREDI Guillaume-P10 (BCD 69-69) | | | 54 | | | | FFBaD | | | | | |

TOLYBAD n°8 : 4ème édition des Rencontres du BACLY

double hommes
série D9/P10



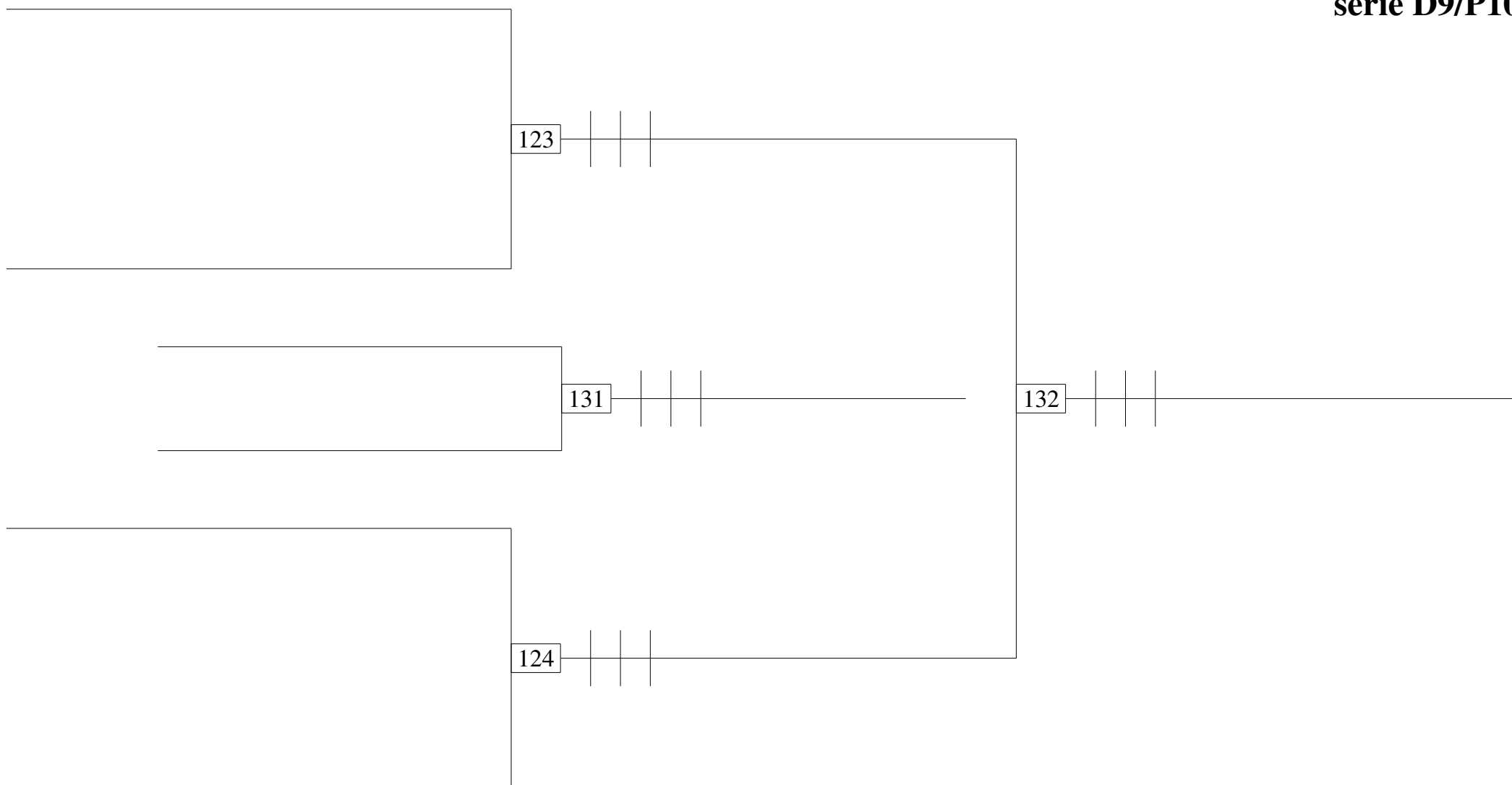
TOLYBAD n°8 : 4ème édition des Rencontres du BACL Y

| DD D9/P10 - PouleA | NGUYEN SANIEL | SIGUENZA MAZARD | JOUDELAT BOULVEN | CHAMPLIAUD RIBEIRO-GOMES | Vict. | Sets diff. | Pts diff. | Cl |
|--|------------------|--------------------|---------------------|-----------------------------|-------|------------|-----------|----|
| 1-NGUYEN Thanh thuy-P10 (BCSV) SANIEL Melanie-D9 (CCB 69-69) | FFBaD | | 73 | | | | | |
| SIGUENZA Virginie-P11 (PLVPB 69-69) MAZARD Audrey-P11 (PLVPB 69-69) | | FFBaD | | 74 | | | | |
| JOUDELAT Marie-P12 (BEB 69-69) BOULVEN Manon-P12 (CSA LV 01) | 73 | | FFBaD | | | | | |
| CHAMPLIAUD Davin-P12 (BACO 69-69) RIBEIRO-GOMES Marie Pierre-P12 | | 74 | | FFBaD | | | | |

| DD D9/P10 - PouleB | HOEPPE GAUTHEROT | SANIEL BRIDE | LAURENS ROGER | CARMANTRAND RESSICAUD | Vict. | Sets diff. | Pts diff. | Cl |
|---|---------------------|-----------------|------------------|--------------------------|-------|------------|-----------|----|
| 2-HOEPPE Sophie-P10 (GSL 69-69) GAUTHEROT Delphine-P10 (GSL 69-69) | FFBaD | | 75 | | | | | |
| SANIEL Vania-P11 (CCB 69-69) BRIDE Christine-P12 (BACL Y 69-69) | | FFBaD | | 76 | | | | |
| LAURENS Cyrielle-P12 (BEB 69-69) ROGER Meryll-P12 (BEB 69-69) | 75 | | FFBaD | | | | | |
| CARMANTRAND Christine-P12 (CSA LV 69-69) RESSICAUD Laetitia-P12 (CSA LV 69-69) | | 76 | | FFBaD | | | | |

TOLYBAD n°8 : 4ème édition des Rencontres du BACLY

double dames
série D9/P10



TOLYBAD n°8 : 4ème édition des Rencontres du BACL Y

| DH P11/P12/NC - Pou | TARDY SINAN | | FAUCONNET BLION | | LAMBERT PELLET | | BURGAUD TCHOBOIAN | | Vict. | Sets diff. | Pts diff. | Cl |
|---|----------------|--|--------------------|-------|-------------------|--|----------------------|-------|-------|------------|-----------|----|
| | FFBaD | | FFBaD | | FFBaD | | FFBaD | | | | | |
| 1-TARDY Stephane-P11 (BVSE 69-69) SINAN Patrick-P11 (CSA LV 01-01) | FFBaD | | | | 69 | | | | | | | |
| FAUCONNET Loïc-P12 (BEB 69-69) BLION Jérôme-P11 (BEB 69-69) | | | FFBaD | | | | 70 | | | | | |
| LAMBERT Stephane-P12 (CSA LV 69-69) PELLET Remi-P12 (CGB 69-69) | 69 | | | FFBaD | | | | | | | | |
| BURGAUD Valentin-NC (BACL Y 69-69) TCHOBOIAN Raffi-NC (BACL Y 69-69) | | | 70 | | | | | FFBaD | | | | |

| DH P11/P12/NC - Pou | MONNET GUILLERMINET | | BOUCHONNET BOUCHONNET | | GUERRY FAYET | | PURAVET BARDON | | Vict. | Sets diff. | Pts diff. | Cl |
|--|------------------------|--|--------------------------|-------|-----------------|--|-------------------|-------|-------|------------|-----------|----|
| | FFBaD | | FFBaD | | FFBaD | | FFBaD | | | | | |
| 2-MONNET Camille-P11 (BDCC 01-01) GUILLERMINET David-P11 (BDCC 01-01) | FFBaD | | | | 71 | | | | | | | |
| BOUCHONNET Eric-NC (CSA LV 69-69) BOUCHONNET Bastien-P11 (CSA LV 69-69) | | | FFBaD | | | | 72 | | | | | |
| GUERRY Dimitri-P12 (BACO 69-69) FAYET Yohan-P12 (BACO 69-69) | 71 | | | FFBaD | | | | | | | | |
| PURAVET Geoffrey-P12 (BACL Y 69-69) BARDON Patrick-P12 (BACL Y 69-69) | | | 72 | | | | | FFBaD | | | | |

TOLYBAD n°8 : 4ème édition des Rencontres du BACLY

double hommes
série P11/P12/NC

